

# SUZUKI

## SV650



### TECHNICAL DATA

**YEAR** : '04  
**Model** : SV650  
**Type** :  
**System** : X-Treme  
**Mufflermaterial** : Inox



\* **Orderno.**

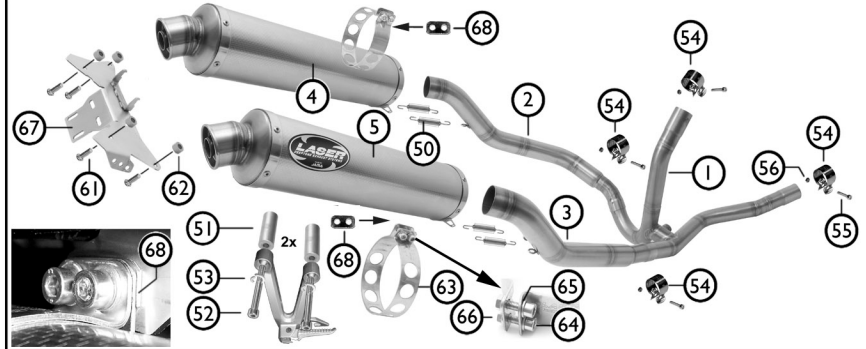
Laser X-Treme Inox

-Homologated 84.2001.1

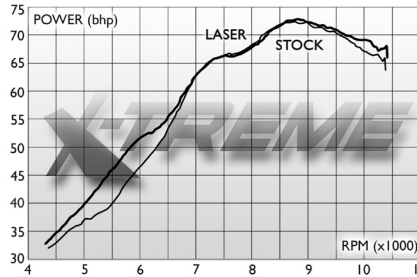


## Slip-on Mufflers

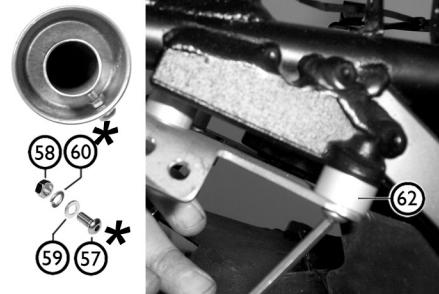
**Orderno.: 84.2001.\***



### POWERCURVE



### ADDITIONAL INFORMATION



### APPROVAL

TUV	ABE	UTAC	BSI	EEC
<input type="checkbox"/>	<input type="checkbox"/>	<input type="checkbox"/>	<input type="checkbox"/>	<input type="checkbox"/>

#### Sound Level (static)

Original: 84.5dB(A) LASER: 92dB(A) +SPORTS INSERT: 96dB(A)

### SPECIAL/OPTIONAL

### Sports versions suffix:

--	--	--

### Street Legal versions suffix:

		I
--	--	---